



FlexPoint

Flexible Multisensor Coordinate Measuring Systems

Floor Model Series

OGP FlexPoint

Coordinate Measuring Systems

FlexPoint™ is the new generation of large format multisensor coordinate measuring systems from OGP®. FlexPoint offers a unique combination of sensors, and CAD based programming, to solve a wide variety of dimensional measurement problems for large format parts.

The Multisensor Advantage

FlexPoint systems are true multisensor systems, supporting a wide range of tactile and non-contact sensors including SP25, SmartProbe®, a unique optical video probe, and the interferometric TeleStar® Probe, all powered by ZONE3® CAD based metrology software. The SmartProbe is fully telecentric and has a large 15 mm x 11 mm FOV for high-speed 2D measurement.

The VersaFlex™ multisensor head offers up to three simultaneously available sensors on an articulating probe head. With several sensors simultaneously available, there is no down time while individual sensors are exchanged from a change rack, and no need to recalibrate each time a sensor is used.

Powerful ZONE3 Software

ZONE3 CAD based metrology software provides complete flexibility for multisensor measurements – with or without a CAD model. An entirely graphical user interface, visual validation for every step, and graphical reporting make ZONE3 the easiest and most intuitive 3D metrology software available.

High Quality Construction

FlexPoint systems feature a stable transport design with carefully selected materials, rigid body members, air bearings on all axes, and active temperature compensation, to perform in shop floor environments. Unique and patented design features enable a larger measuring volume within a compact footprint.

Precise Calibration

Factory volumetric calibration using the Etalon® LaserTRACER system ensures the lowest possible calibration uncertainty. In the field, machine accuracy verification is performed according to ISO 10360.

FlexPoint is offered in three X,Z base configurations, each with a choice of Y-axis range to suit a wide variety of manufacturing needs.



VersaFlex™ Articulating Sensor

System Performance and Accuracy Specifications

Motion Dynamics

Velocity	CNC (3D Vector)	max. 500 mm/s
Acceleration	3D Vector	max. 1350 mm/s ²

Accuracy & Repeatability¹

FlexPoint Model	7-Series	9-Series	12-Series
-----------------	----------	----------	-----------

SP25 (per ISO 10360-2:2009) ^{2,3,4}				
Length measurement errors	MPE(E0)	(2.0 + 3L/1000) µm	(2.5 + 3L/1000) µm	(3.0 + 3L/1000) µm
Repeatability of length measurement errors	MPL(R0)	1.7 µm	2.1 µm	2.5 µm

SP25 (per ISO 10360-5:2020) ³				
Single stylus form error	MPE(P[Form.Sph.1x25:SS:Tact])	2.0 µm	2.5 µm	3.0 µm
Scanning mode form error	MPE(P[Form.Sph.Scan:PP:Tact])	3.6 µm	3.9 µm	4.1 µm
Time for scanning mode form error	MPL(τ[Sph.Scan:PP:Tact])	65 sec	65 sec	70 sec

TeleStar [®] Probe Laser Performance (per ISO 10360-8:2013)				
Probing size error All	MPE(P[Size.Sph.All:TR:ODS])	3.5 µm	3.5 µm	3.5 µm

TeleStar [®] Probe Laser Accuracy (per QVI Test) ⁵				
Laser measurement accuracy		1.0 µm	1.0 µm	1.0 µm

SmartProbe [®] Video Probe (per ISO 10360-7:2011) ⁶				
Imaging probe length measurement error	MPE(EUV)	3.0 µm	3.0 µm	3.0 µm

Environmental Conditions

Measuring Reference Temperature	18 °C to 22 °C
Maximum rate of temperature change	1.0 °C/h - 2.0 °C/24h
Maximum vertical temperature gradient	1.0 °C/m
Ambient vibration	<500µg below 15 Hz

System Utilities

Power	100 - 120 / 200 - 240 VAC, 50/60 Hz, 1 phase, 700 W
Air	Air supply pressure: 0.6-0.85 MPa; Minimum flow capacity: 200 NI/min; Air quality ISO 8573-1:2010 Class 4.3.4 or better

NOTES
1. Specifications apply to a thermally stable system in the rated environment, operated in accordance with the procedures in the operating manual
2. Where L = measuring length in mm
3. Using SP25 with SM25-2 module with 3.0 mm x 21 mm A-5000-3553 stylus
4. Artifact may be low expansion with a CTE no greater than $1 \times 10^{-6} / ^\circ\text{C}$ and with a CTE expanded uncertainty (k = 2) no greater than $0.3 \times 10^{-6} / ^\circ\text{C}$
5. Accuracy on horizontal specular surfaces within the measuring range
6. Specifications apply at a PH10 position of A-axis 0° and B-axis 0°



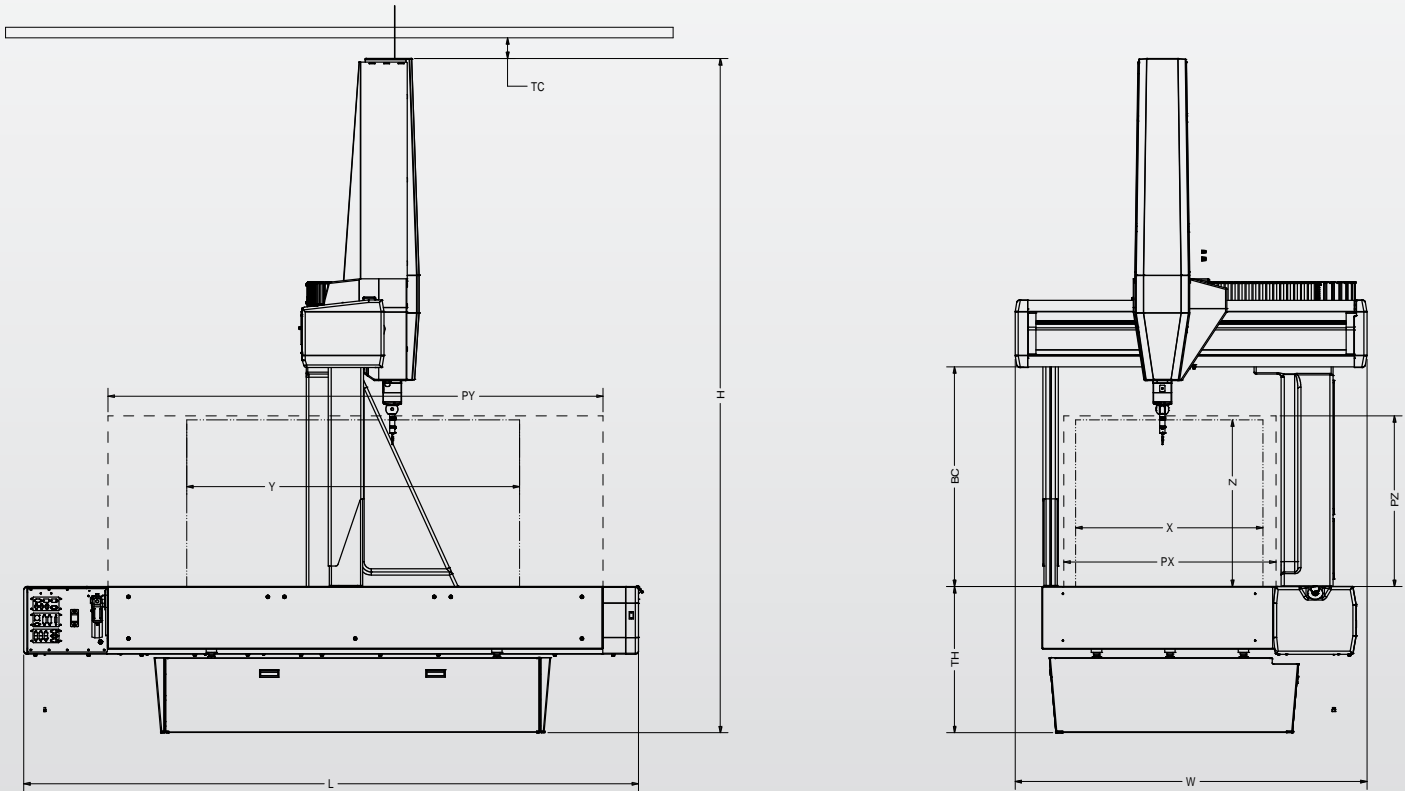
System Dimensions*

All dimensions in MM

Model	Measuring Range			Overall Dimensions			Maximum Workpiece Size			Bridge Clearance	Table Height	Min. Top Clearance	Machine Weight (kg)	Maximum Workpiece Weight** (kg)
	X	Y	Z	W	L	H	PX	PY	PZ	BC	TH	TC		
7.7.6	700	700	600	1470	1630	2790	825	1230	620	854	650	100	1200	500
7.11.6	700	1100	600	1470	2190	2790	825	1630	620	854	650	100	1500	800
7.15.6	700	1500	600	1470	2600	2790	825	2030	620	854	650	100	1800	1000
9.12.8	900	1200	800	1700	2540	3240	1020	1980	820	1054	700	100	2600	1200
9.16.8	900	1600	800	1700	2980	3240	1020	2380	820	1054	700	100	3000	1500
9.20.8	900	2000	800	1700	3380	3240	1020	2780	820	1054	700	100	3400	1800
12.15.10	1200	1500	1000	2000	2980	3740	1320	2280	1020	1254	800	100	4600	2000
12.20.10	1200	2000	1000	2000	3380	3740	1320	2780	1020	1254	800	100	5600	2500
12.30.10	1200	3000	1000	2000	4500	3740	1320	3780	1020	1254	800	100	7500	3000

* As defined in the drawing below. Actual measuring volume is dependent on selected sensor and articulation

** Evenly distributed load



Confidence. When Results Matter.™

World Headquarters: Rochester, NY, USA • 585.544.0400 • www.ogpnet.com

OGP Shanghai Co, Ltd: Shanghai, China
86.21.5045.8383/8989 • www.smartscope.com.cn

OGP Messtechnik GmbH: Hofheim-Wallau, Germany
49.6122.9968.0 • www.ogpmesstechnik.de

Optical Gaging (S) Pte Ltd: Singapore • 65.6741.8880 • www.smartscope.com.sg