

StarLite™ 250|300

StarLite 250 and 300 models offer high-performance on the workbench. StarLite systems feature reliable motorized zoom optics and high-resolution digital cameras to provide the accuracy you need.

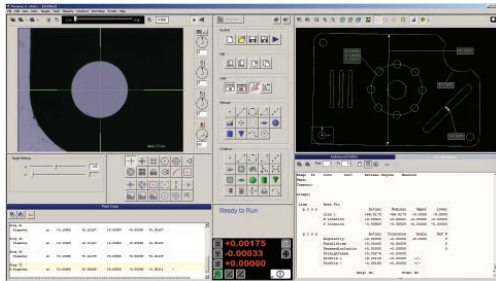
- 3-axis (X, Y, Z) measurement capability with motorized autofocus
- Digital megapixel color camera coupled with a motorized zoom lens
- LED backlight and VectorLight™ programmable LED ring light with 6 rings and 8 sectors

StarLite Measuring Ranges (mm)				
Models		X	Y	Z
	250	300	150	150
	300	300	300	150

## Semi-automatic, Compact, Workbench System

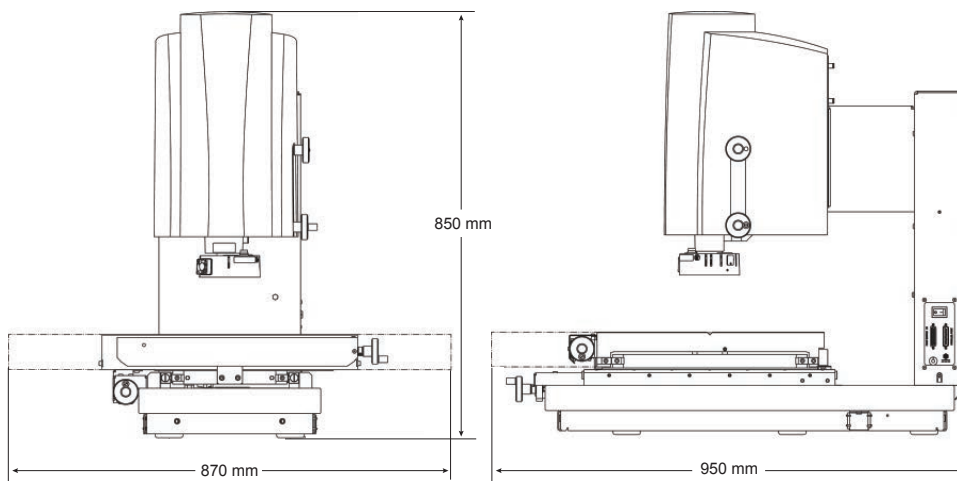


# StarLite™ 250|300



## Measurement Software

Measure-X® is the world's most popular video metrology software. Measure-X makes it easy for StarLite to accurately measure fine features that require multi-step measurement routines. All measurements are fully automatic. Measure-X guides the user to position each feature using the manual stage controls.



StarLite 300 Model Shown

System Weight:	Shipping Weight:
250 Model - 120 kg	250 Model - 255 kg
300 Model - 160 kg	300 Model - 300 kg

		Standard		Optional	
X, Y, Z Travel	250	300 x 150 x 150 mm			
	300	300 x 300 x 150 mm			
X, Y, Z Scale Resolution		1.0 µm			
Stage Drive System		Precision compound stage with manual XY axes, motorized Z-axis			
Max Recommended Stage Load		23 kg			
Working Distance		62 mm (with standard VectorLight)		Up to 133 mm (0.5x lens attachment)	
Imaging Optics		6.5:1, 10 position motorized zoom lens			
Lens Attachments		0.5X, 0.75X, 1.5X, 2.0X			
Metrology Camera		Digital, Megapixel Color Metrology Camera			
Field of View <small>*Uses optical and digital zoom</small>	Low Mag	High Mag*	Low Mag (0.5X)	High Mag* (2.0X)	
	7.3 mm x 5.5 mm	0.5 mm x 0.4 mm	14.6 mm x 11.0 mm	0.27 mm x 0.20 mm	
Magnification on 24" LCD Monitor		24x to 370x on-screen digital/optical magnification standard with full feature Measure-X layout		12x to 740x on-screen digital/optical magnification with optional add-on lenses and dual monitor user interface	
Illumination		LED VectorLight programmable ring light with 6 rings and 8 sectors LED backlight		Option 1: LED VectorLight SP programmable ring light with 6 rings and 7 sectors, LED backlight, LED square-on surface light Option 2: LED VectorLight SF programmable ring light with 6 rings and 8 sectors, LED backlight, LED square-on surface light (reduced working clearance)	
Controller		QVI standard system controller with networking and communication ports		Single flat panel LCD monitor, or dual flat panel LCD monitors; keyboard, mouse	
Software		Measure-X		MeasureFit® Plus, SmartReport®, CAD interface, SmartProfile®, EVOLVE™ SPC, SmartSCS software for FDA compliant environments	
Miscellaneous Options		Optical accessory kit, manual rotary indexer, NIST traceable calibration artifact, footswitch, dust cover			
Power		100-120 VAC or 200-240 VAC, 50/60 Hz, 1 phase, 250W			
Operating Environment		Temperature 15-30 °C			
Rated Environment		Temperature 18-22 °C, stable to ±1 °C, max rate of change 1 °C / hour, max vertical gradient of 1 °C / meter; 30-80% humidity; vibration <0.001g below 15 Hz			
X,Y Linear Accuracy		E <sub>L</sub> : (2.5 + 6L/1000) µm			
XY Area Accuracy		E <sub>A</sub> : (3.5 + 6L/1000) µm (250 Model) E <sub>A</sub> : (4.5 + 6L/1000) µm (300 Model)			
Z Linear Accuracy		E <sub>Z</sub> : (5.0 + 8L/1000) µm			

Accuracy is evaluated with a QVI verification procedure where "L" is measured length in millimeters. Specifications apply within the rated environment. Standard optical specifications apply at the maximum optical magnification of the standard configuration. XY Accuracy applies with an evenly distributed load up to 5 kg in the standard measuring plane. The standard measuring plane is defined as a plane that is within 25 mm of the worktable surface. Depending on load distribution, accuracy at maximum payload may be less than standard.



Confidence. When Results Matter.™

Optical Gaging Products, a division of Quality Vision International  
 850 Hudson Avenue • Rochester, NY 14621 • USA  
 Phone: (585) 544-0400 • (800) 647-4243 • Fax: (585) 544-8092  
 info@ogpnet.com  
 www.ogpnet.com