



SprintMVP™ 250 | 300

SprintMVP workbench systems offer fully automatic measurement with high performance and affordability. Two workbench SprintMVP models are available to suit your measurement needs.

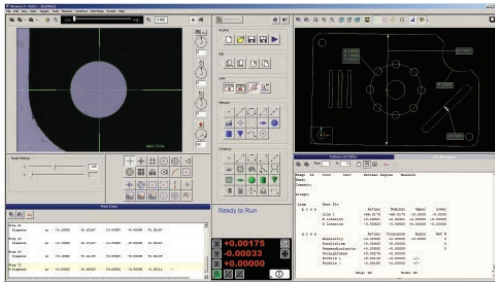
- Granite base and column for stability with precision CNC X, Y and Z stages
- 3-axis joystick and CNC motion control
- Motorized zoom lens optics with high resolution digital color camera
- Optional 250mm extended Z-axis

Automatic Workbench Measuring Machines

	Standard Measuring Range (mm)			
Models	X	Y	Z	
250	300	150	150	
300	300	300	150	

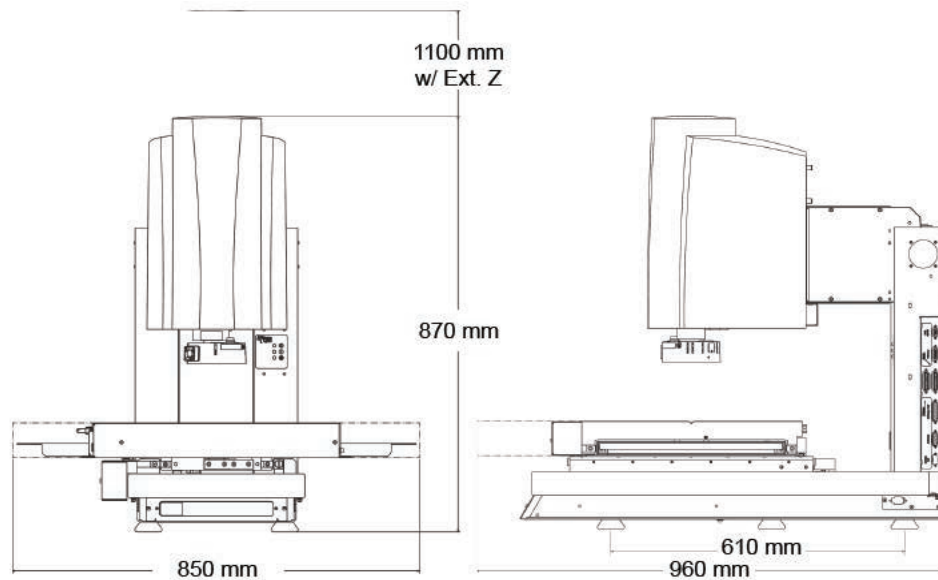


SprintMVP™ 250|300



Measurement Software

Measure-X® is the world's most popular video metrology software. Measure-X makes it easy for SprintMVP to accurately measure fine features that require multi-step measurement routines, automatically combining autofocus, edge detection, programmable lighting, laser scanning and touch probing.



SprintMVP 300 Model Shown

System Weight:	Shipping Weight:
250 Model - 130 kg	250 Model - 255 kg
300 Model - 180 kg	300 Model - 300 kg

		Standard		Optional	
X, Y, Z Travel	250	300 x 150 x 150 mm		250 mm Extended Z Axis	
	300	300 x 300 x 150 mm		250 mm Extended Z Axis	
X, Y, Z Scale Resolution		0.5 µm		0.1 µm	
Stage Drive System		Precision, motorized compound XY stage and linear Z stage with 3-axis joystick control			
Max Recommended Stage Load		250 Model - 20 kg 300 Model - 25 kg			
Working Distance		62 mm (with standard VectorLight™)		Up to 133 mm (0.5x lens attachment)	
Imaging Optics		6.5:1, 10 position motorized zoom lens			
Lens Attachments		0.5X, 0.75X, 1.5X, 2.0X			
Field of View <small>*Uses optical and digital zoom</small>	Low Mag	High Mag*	Low Mag (0.5X)	High Mag* (2.0X)	
	7.3 mm x 5.5 mm	0.5 mm x 0.4 mm	14.6 mm x 11.0 mm	0.27 mm x 0.20 mm	
Metrology Camera		Digital, Megapixel Color Metrology Camera			
Magnification on 24" LCD Monitor		24x to 370x on-screen digital/optical magnification standard with full feature Measure-X layout		12x to 740x on-screen digital/optical magnification with optional add-on lenses and dual monitor user interface	
Illumination		LED VectorLight™ SP programmable ring light with 6 rings and 7 sectors, LED backlight, LED square-on surface light		LED VectorLight SF programmable ring light with 6 rings and 8 sectors and LED square-on surface light (reduced working clearance)	
Sensor Options		Renishaw touch probe and change rack, QVI® DRS™ laser			
Controller		QVI standard system controller with networking and communication ports		Single flat panel LCD monitor, or dual flat panel LCD monitors; keyboard, mouse	
Software		Measure-X		MeasureFit® Plus, Measure-X Offline, CAD interface, SmartProfile®, EVOLVE™ SPC, SmartSCS software for FDA compliant environments	
Miscellaneous Options		Manual or motorized rotary indexer, NIST traceable calibration artifact, dust cover			
Power		100-120 VAC or 200-240 VAC, 50/60 Hz, 1 phase, 500W			
Operating Environment		Temperature 15-30 °C			
Rated Environment		Temperature 18-22 °C, stable to ±1 °C, max rate of change 1 °C / hour, max vertical gradient of 1 °C / meter; 30-80% humidity; vibration <0.001g below 15 Hz			
XY Area Accuracy		$E_z: (2.5 + 6L/1000) \mu\text{m}$			
Z Linear Accuracy		$E_z: (5.0 + 8L/1000) \mu\text{m}$		$E_z: (4.0 + 8L/1000) \mu\text{m}$ (with 2.0X lens attachment)	

Accuracy is evaluated with a QVI verification procedure where "L" is measured length in millimeters. Specifications apply within the rated environment. Standard optical specifications apply at the maximum optical magnification of the standard configuration. XY Accuracy applies with an evenly distributed load up to 5 kg in the standard measuring plane. The standard measuring plane is defined as a plane that is within 25 mm of the worktable surface. Depending on load distribution, accuracy at maximum payload may be less than standard.



Confidence. When Results Matter.™

Optical Gaging Products, a division of Quality Vision International
 850 Hudson Avenue • Rochester, NY 14621 • USA
 Phone: (585) 544-0400 • (800) 647-4243 • Fax: (585) 544-8092
 info@ogpnet.com
 www.ogpnet.com