

## WG2 Gage Head

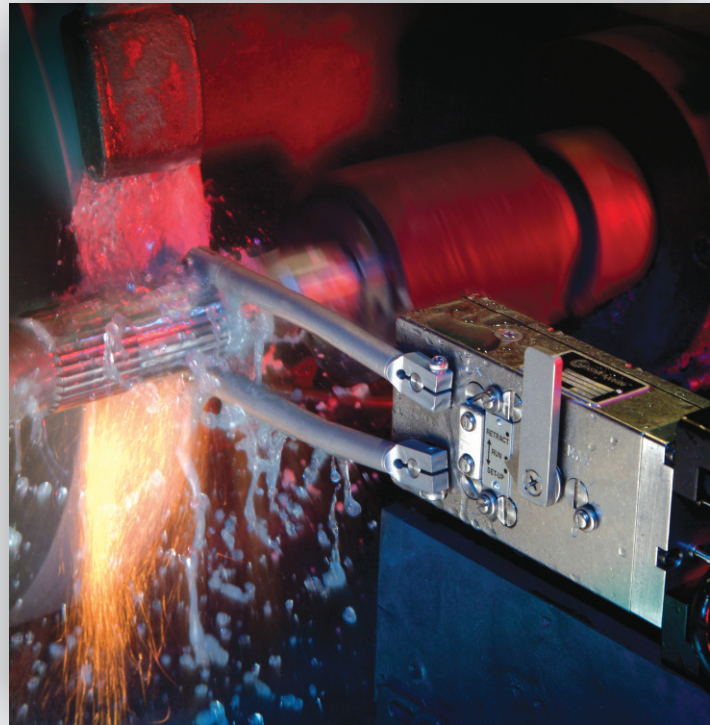
Versatile, tough, precise:  
process-control  
measurement at its best

**C**ontrol Gaging invented the “quick setup” gage head more than 30 years ago, slashing gage changeover time from 20 minutes to 30 seconds. Some of the gages built then are still holding close tolerances today.

That combination of simplicity, accuracy and durability has been the relentless target of our design teams ever since. On that basis we have been recognized, by users and competitors alike, as leaders in the process-control gaging industry.

The WG2 Gage Head is a fifth-generation product and has incorporated steady advances in all areas of the design: bearing structure, corrosion resistance, coolant seals, setup and retract mechanism reliability, crash-resistance, easy-access adjustable features, repairability, and repeatability -- all in a compact form for tight tooling spaces.

To set up the WG2, hold the lever in the “setup” position, squeeze the gage fingers into contact with an on-size workpiece, and then release the lever. In most applications, setup can be accomplished in less than 30 seconds.



- ✓ Quick setup
- ✓ Stainless steel body
- ✓ ID or OD capable
- ✓ Smooth or interrupted
- ✓ .0004mm repeatability @ 5.15 sigma
- ✓ Integrated air retract
- ✓ Externally adjustable contact force, overtravel & retraction, ALL with no special tools!
- ✓ Dynamic or static parts
- ✓ RoHS Compliant

The rugged design of the WG2 allows you to keep your spare parts inventory low. The integrated slip-clutch setup mechanism protects the gage from damage and allows quick recovery from most gage wrecks.

### Part types gaged by the WG2

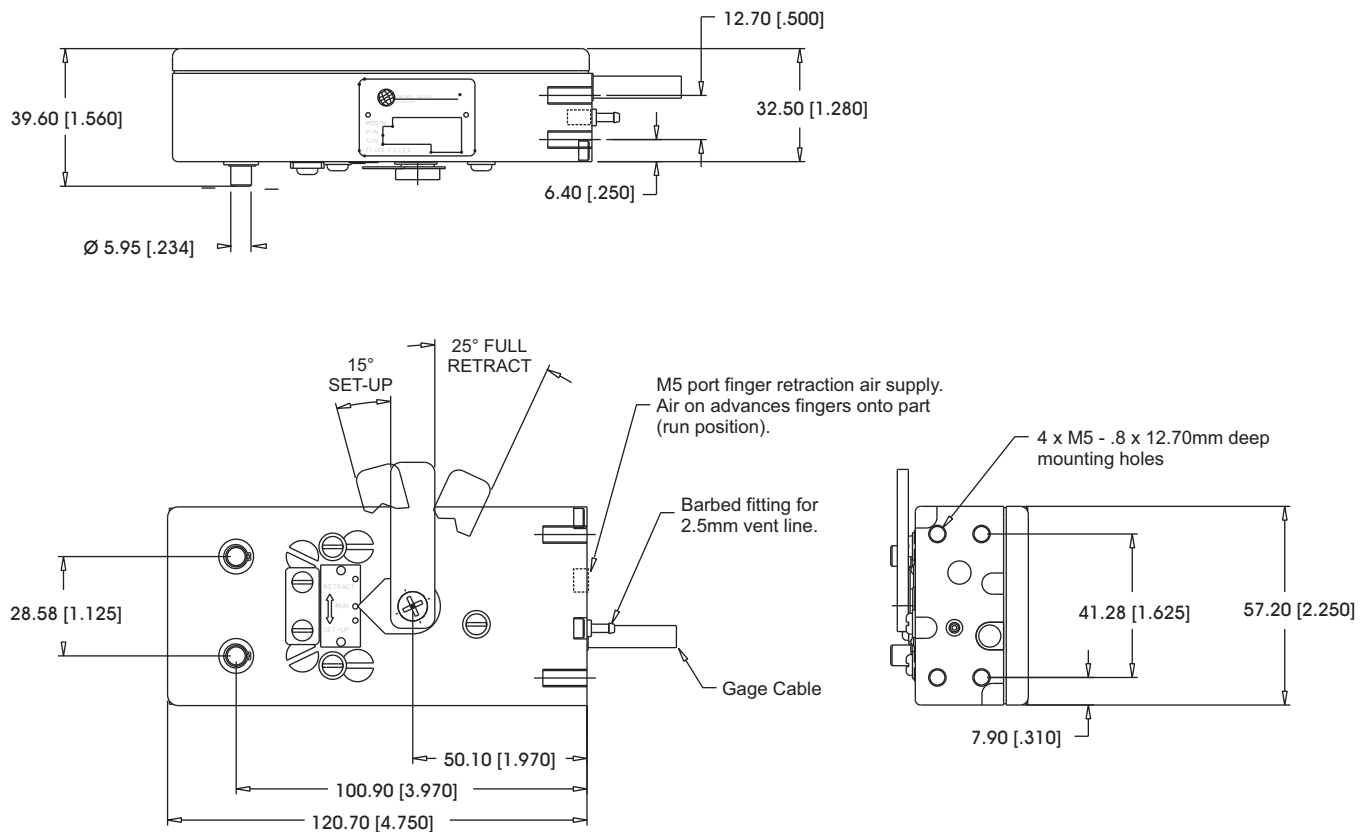
Armatures	Motor shafts
Bearings	Pistons
Bushings	Reamers
Camshafts	Rotors
Crankshafts	Splined shafts
Cylinder linings	Valves
Drills	Valve stems
Impeller shafts	and many more

**TAKE CONTROL & SAVE MONEY**

Control Gaging Incorporated

847 Avis Dr. Ann Arbor, Michigan 48108 Phone: +1 734.668.6750 Fax: +1 734.994.1335  
www.controlgaging.com Email: sales@controlgaging.com

## WG2 Gage Head Dimensions



## Technical Specifications

**Size Range:** OD Smooth Surface - 5mm - 165mm (.2" - 6.5")  
OD Interrupted Surface - 5mm - 152mm (.2" - 6.0")  
ID - 12mm - 165mm (.5" - 6.5")

**Repeatability:** .0004mm (.000016") @ 5.15 sigma

**Retraction Amount:** 2.5 degrees per finger (5.2mm using 118mm length fingers)

**Retraction Mechanism Pressure:** 4.1 - 5.5 bar (60 - 80 psi)

**Weight:** 1.6kg (3.6lbs.)

**Sealing:** IP67

**TAKE CONTROL & SAVE MONEY**

Control Gaging Incorporated

847 Avis Dr. Ann Arbor, Michigan 48108 Phone: +1 734.668.6750 Fax: +1 734.994.1335  
www.controlgaging.com Email: sales@controlgaging.com